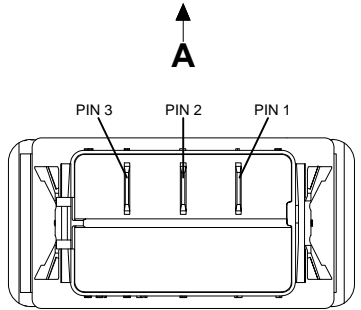
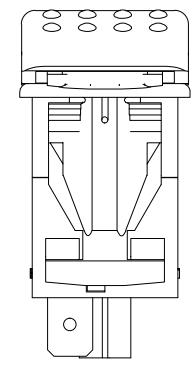
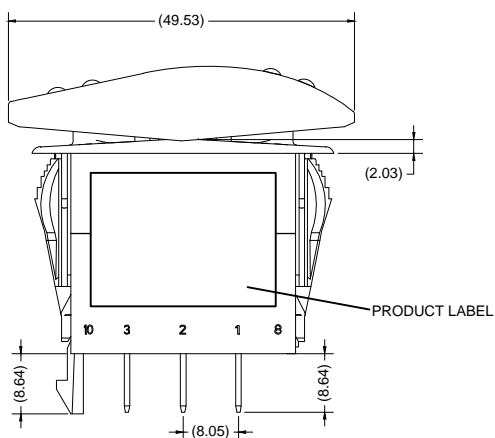
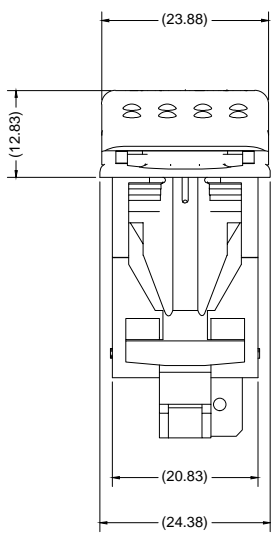
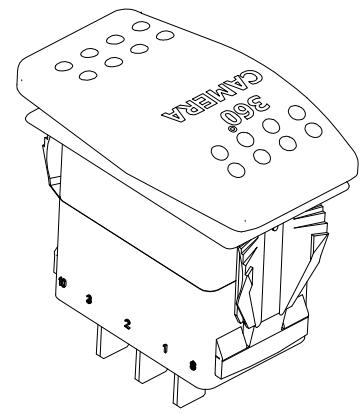
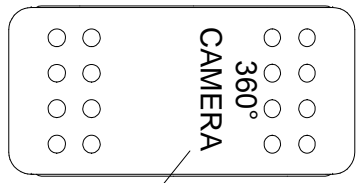


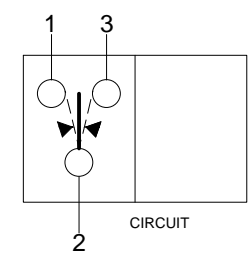
Revision Notes.				
R1 -				
APA: -	Drawn:-	Checked:-	Approved:-	Date: -

SWITCH FUNCTION		
POS 1	POS 2	POS 3
(ON) 2 TO 3	OFF	(ON) 2 TO 1



CONTURA II 10 TERMINAL CONNECTING FACE

PIN #	WIRE COLOUR	DESCRIPTION
1	GREEN	KEY MODE
2	BLACK	GROUND
3	RED	KEY POWER



- NOTES:
1. SWITCH BASE MATERIAL: POLYESTER
 2. SILKSCREEN APPLIED TO SWITCH MUST BE WHITE, ARIAL FONT & TEXT HEIGHT 3mm
 3. SUPPLIED IN WITH BN360-CP CBL (5098)
 4. MOUNTING HOLE SIZE 21.08mm x 36.83mm
 5. PRESS TOP FOR POWER FUNCTION (POS 1), WHEN USED WITH BN360-CP CBL (5098)
 6. PRESS BOTTOM FOR VIEW SELECT FUNCTION (POS 3), WHEN USED WITH BN360-CP CBL (5098)
 7. FOR PRODUCT LABEL REFER TO LATEST REVISION OF DRAWING BE-003387-XX-16

PROPRIETARY NOTICE
 THIS DESIGN AND TECHNICAL INFORMATION APPEARING ON THIS DRAWING IS THE PROPERTY OF BRIGADE ELECTRONICS, AND IS DISCLOSED IN CONFIDENCE. IT IS NOT TO BE COPIED, REPRODUCED, REVEALED TO OR EXPROPRIATED BY OTHERS, EITHER IN WHOLE OR IN PART WITHOUT THE EXPRESS WRITTEN CONSENT OF BRIGADE ELECTRONICS.

Customer Approval I.ABDALLA 09/05/16	Assembly Pl Approval Y.J.LEE 05/05/15	Approved by B.CHILDS	Checked by R.BATES	Drawn by D.RICHARDSON	
 www.brigade-electronics.com	 Third Angle	Units mm	Scale N/A	Released 09/05/16	Assembly Ref -
		Status RELEASED	BN360-CP-02		
		Part No 5092	BE-003364-00-16		